

#### INSTALLATION

- The valve is easily installed in line between the shower outlet and showerhead or hose (standard 1/2" connections).

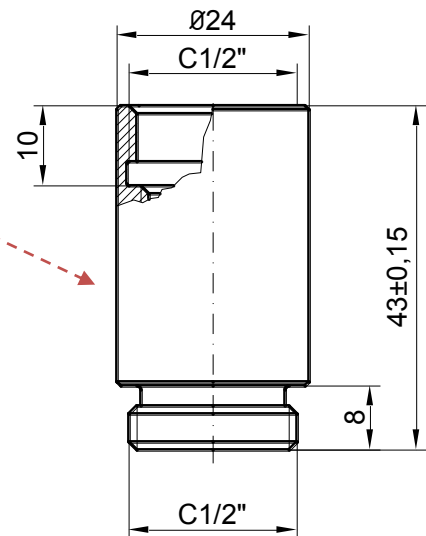


#### FEATURES

- This safety valve eliminates the danger of scalding by means of an automatic shut-down when through-put temperatures exceed  $48^{\circ}\text{C} (\pm 2^{\circ}\text{C})$  ( $118^{\circ}\text{F} (\pm 4^{\circ}\text{F})$ ).
- The heart of the device is a thermostatic wax element that expands and contracts in relation to the water temperature.
- The valve causes no flow restriction.

#### OPERATION

- Turn on cold water first, then add hot until the desired temperature is met (do not turn on hot by itself).
- Should there be a reduction in the cold water supply temperature causing a rise in output exceeding  $48^{\circ}\text{C} (\pm 2^{\circ}\text{C})$  ( $118^{\circ}\text{F} (\pm 4^{\circ}\text{F})$ ), the valve will automatically close, shutting water delivery down to a trickle.
- Once the supply temperatures are normalized (usually a few seconds), the valve will open, permitting showering to continue.
- Should the faucet or shower valve be turned off while the automatic valve is still closed, water will continue to drip until valve is clear of the remaining hot water.



#### ATTENTION

- Since this automatic shut-off valve is linked directly to a shower device, it leaves the function of the tub filling mode unaffected (no limit on hot temperature through that channel)

