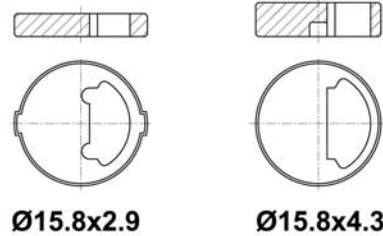


We are capable of designing and producing custom ceramic parts for a wide scope of applications, not limited to use in plumbing products.

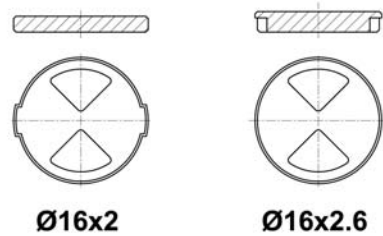
TECHNICAL CHARACTERISTICS OF THE CERAMIC DISCS:

Material:	Al_2O_3
Contact surface area:	50-80%
Flatness:	max. 0.00075 mm
Parallelism:	max. 0.03 mm
Surface roughness Ra (polished side):	0.2 μm
Surface roughness Ra (back side):	max. 0.8 μm
Density:	3.7 g/cm ³
Color:	white
Apparent porosity:	0%
Water absorption:	0%

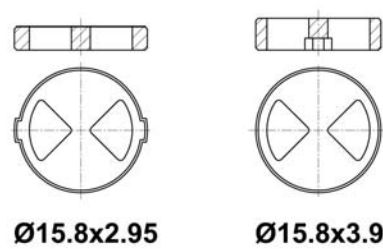
FOR TWO HANDLE CARTRIDGES



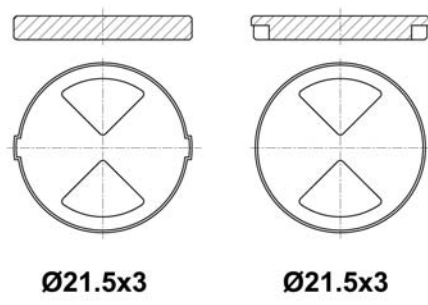
1/2 turn, size 1/2"



1/4 turn, size 1/2"



1/4 turn, size 1/2"



1/4 turn, size 3/4"



CERAMIC DISCS



STANDARD AND CUSTOM