

### TECHNICAL CHARACTERISTICS OF THE CERAMIC DISCS:

Material:	<b>AL<sub>2</sub>O<sub>3</sub></b>
Surface roughness Ra:	<b>0.3 μm</b>
Contact surface area:	<b>50-80%</b>

### TECHNICAL CHARACTERISTICS OF THE CARTRIDGE:

Opening angle:	<b>25°</b>
Mixing angle:	<b>100°</b>
Max water pressure:	<b>35 bar / 500 psi</b>
Max temperature:	<b>90 °C / 194 °F</b>
Clamping zone:	<b>24,5±0,05 mm</b>

#### Pressure test:

Pneumatic:	<b>6 bar / 87 psi</b>
Hydraulic:	<b>35 bar / 500 psi</b>

#### Flow rate:

(3 bar / 45 psi, test faucet, EN 817)

**13,5 l/min / 3,5 gpm** without resistance

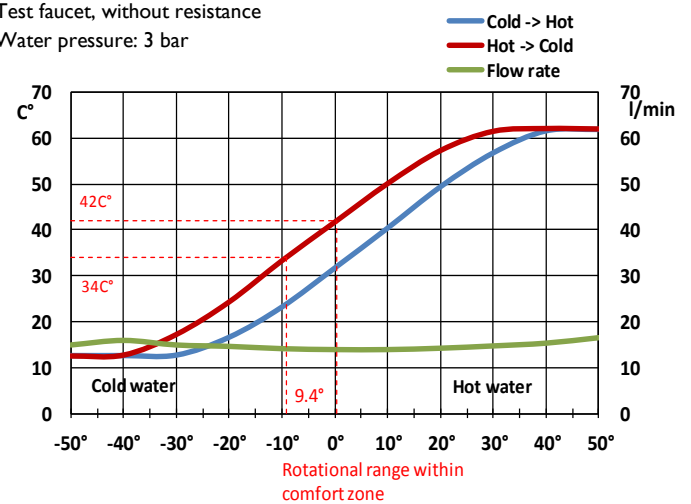
#### Endurance test:

EN 817	70 000 cycles
ASME A 112.18.1M	500 000 cycles

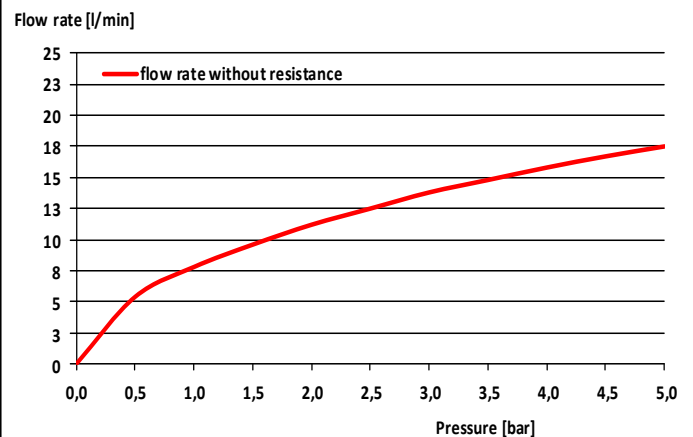
- Rotational action provides temperatur control. The mixed water runs out from two outputs simultaneously (house and bottom).
- Opening action provides flow rate control.

### FLOW RATE & HYSTERESIS CURVES

Test faucet, without resistance  
Water pressure: 3 bar



### FLOW RATE CURVES

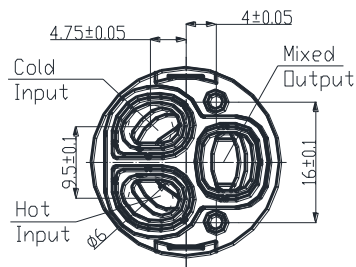
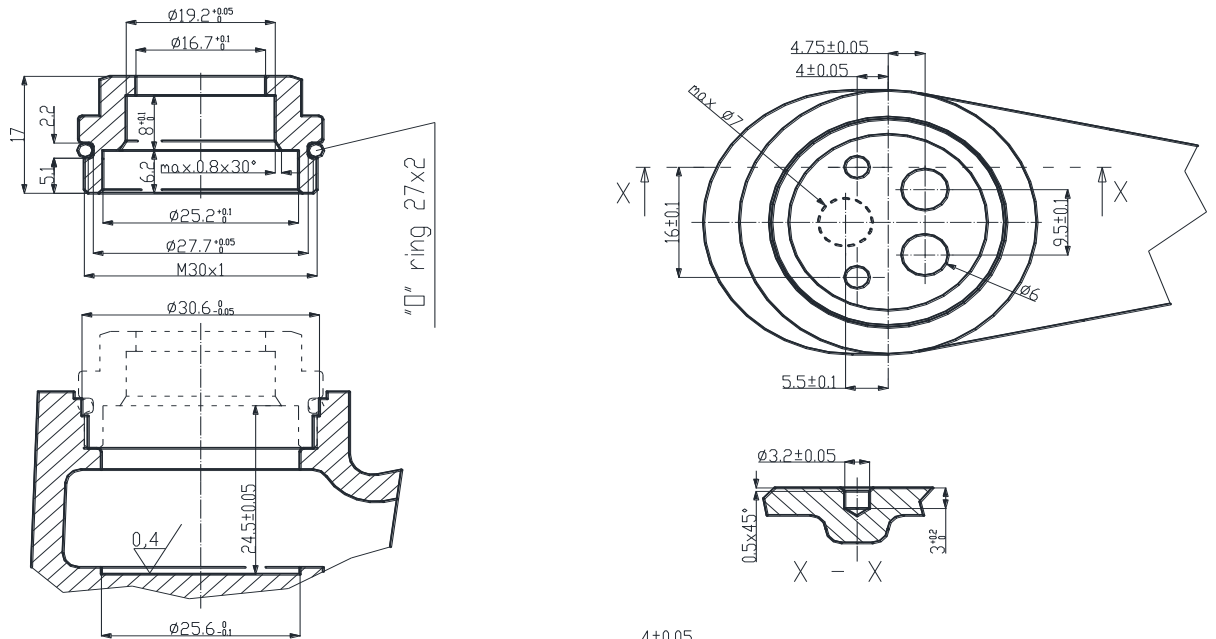


# K-25OP

## CARTRIDGE

K-25OP S with plastic lever

Faucet



Cartridge

