

TECHNICAL CHARACTERISTICS OF THE CERAMIC DISCS:

Material:	AL₂O₃
Surface roughness Ra:	0.3 μm
Contact surface area:	50-80%

TECHNICAL CHARACTERISTICS OF THE CARTRIDGE:

Opening angle:	25°
Mixing angle:	100°
Max water pressure:	35 bar / 500 psi
Max temperature:	90 °C / 194 °F
Clamping zone:	24,5±0,05 mm

Pressure test:

Pneumatic:	6 bar / 87 psi
Hydraulic:	35 bar / 500 psi

Flow rate:

(3 bar / 45 psi, test faucet, EN 817)
13,5 l/min / 3,5 gpm without resistance

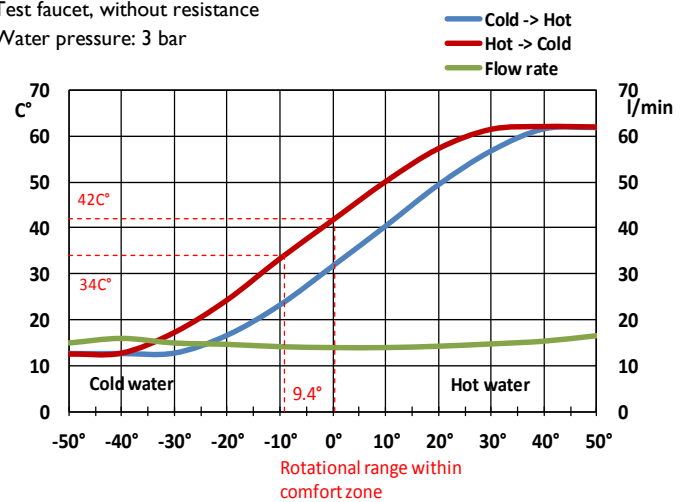
Endurance test:

EN 817 70 000 cycles

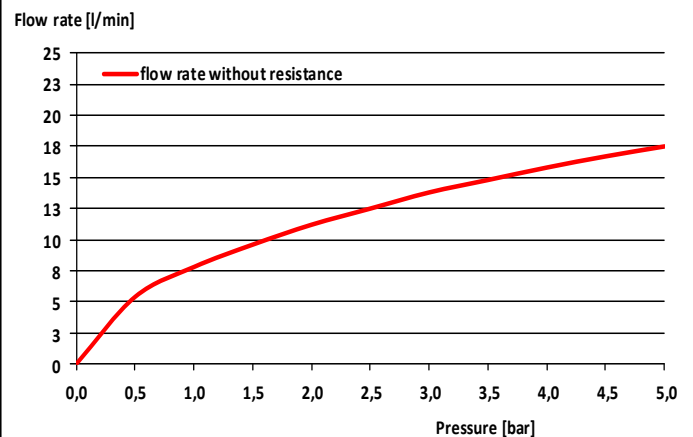
- Rotational action provides temperatur control. The mixed water runs out from two outputs simultaneously (house and bottom).
- Opening action provides flow rate control.

FLOW RATE & HYSTERESIS CURVES

Test faucet, without resistance
Water pressure: 3 bar



FLOW RATE CURVES

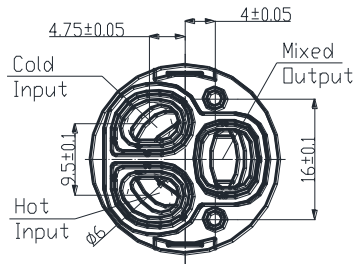
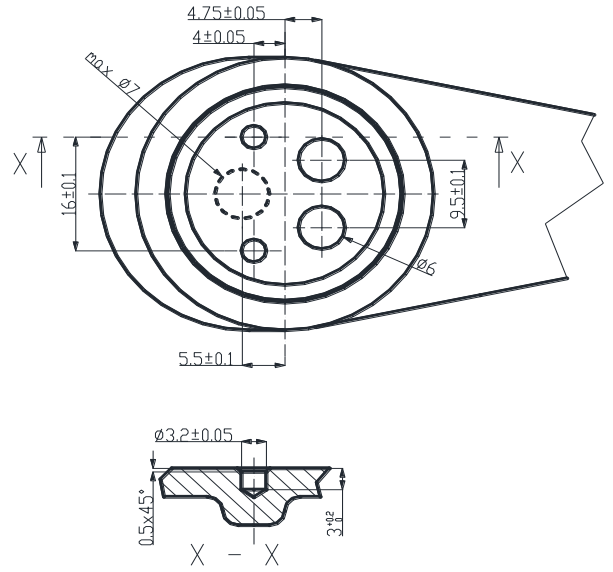
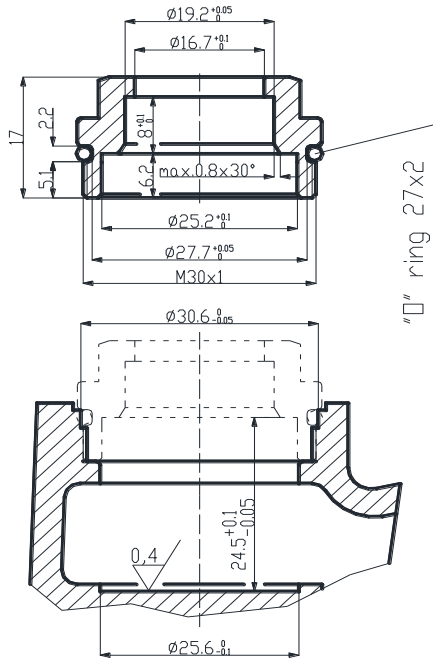


K-25OP

CARTRIDGE

K-25OP S with plastic lever

Faucet



Cartridge

