

TECHNICAL CHARACTERISTICS OF THE CERAMIC DISCS:

Material: Al_2O_3

Surface roughness Ra: **0.2 μ m**

Contact surface area: **50-80%**

TECHNICAL CHARACTERISTICS OF THE CARTRIDGE:

Movement range: **90°**

Max. temperature: **90°C / 194°F**

Recommended tightening torque:

12-13 Nm / 106-115 lbf·in

Pressure test: pneumatic **6 bar / 87 psi**
hydraulic **35 bar / 500 psi**

Constant flow rate in the $-45^\circ - +45^\circ$ range

Flow rate:

(3 bar / 45 psi, test faucet, EN 817)

31 l/min / 8.2 gpm without resistance

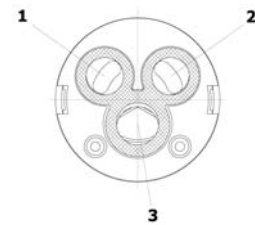
21 l/min / 5.5 gpm with resistance „C”

Endurance test:

EN 817 70 000 cycles

ASME A112.18.1 500 000 cycles

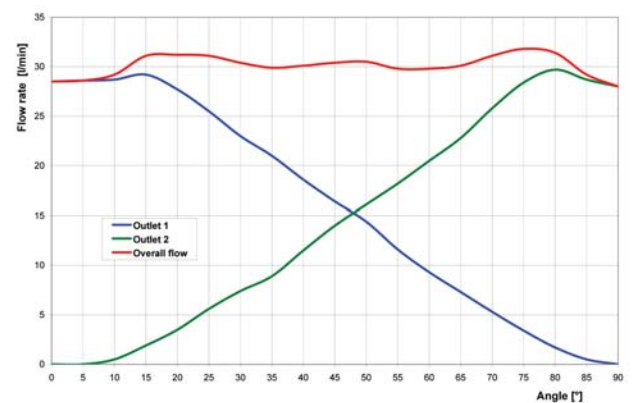
- This model can be used both as a diverter cartridge and a mixing cartridge (without shut-off).
Used as a diverter, pre-mixed water enters port 3 and exits either port 1 and/or 2. Used as a mixer, hot and cold water enters ports 1 and 2, and discharges from port 3 (for on-off and volume control functions, an additional valve is required).



- Ideal for use in shower panels (as a diverter cartridge) and in electronic faucets (as a mixing cartridge).

FLOW RATE CURVES

Test faucet without resistance
Water pressure: 3 bar

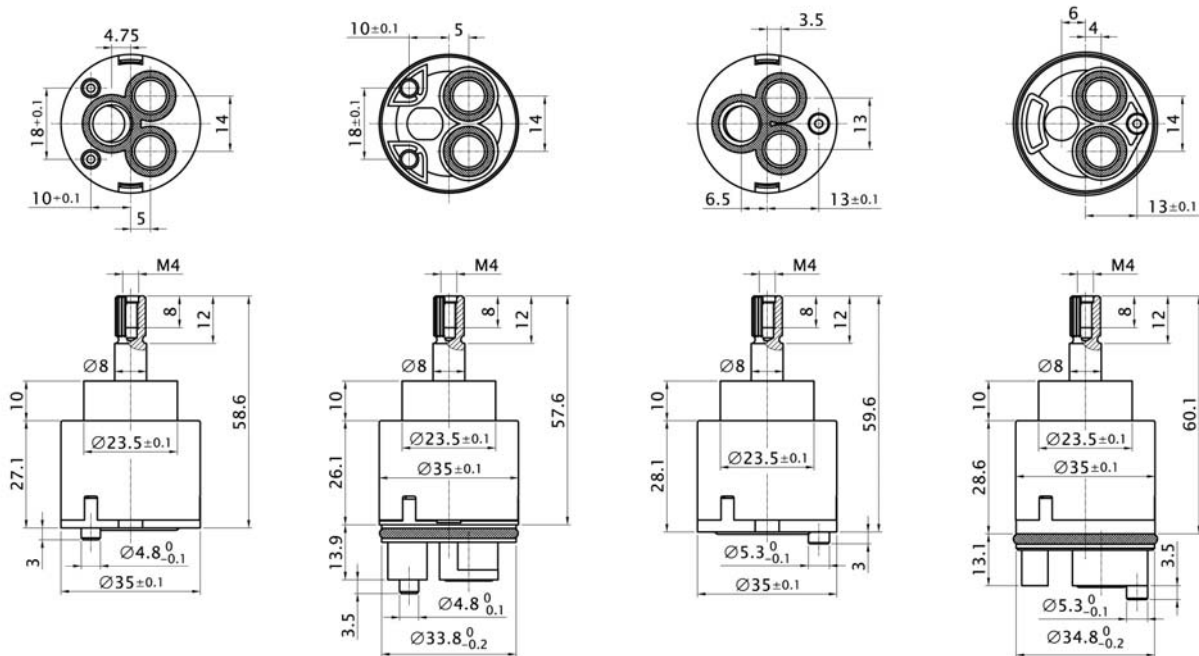


KDN-35

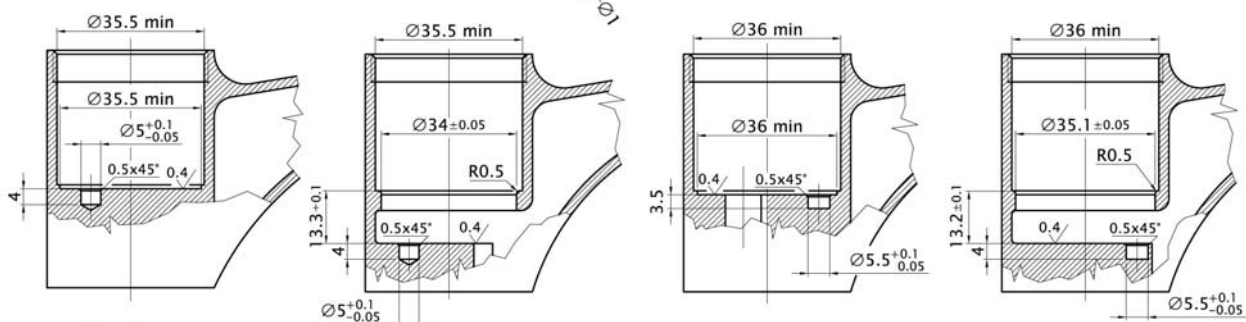
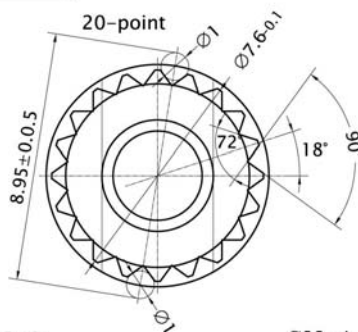
CARTRIDGES

A • B • C • D

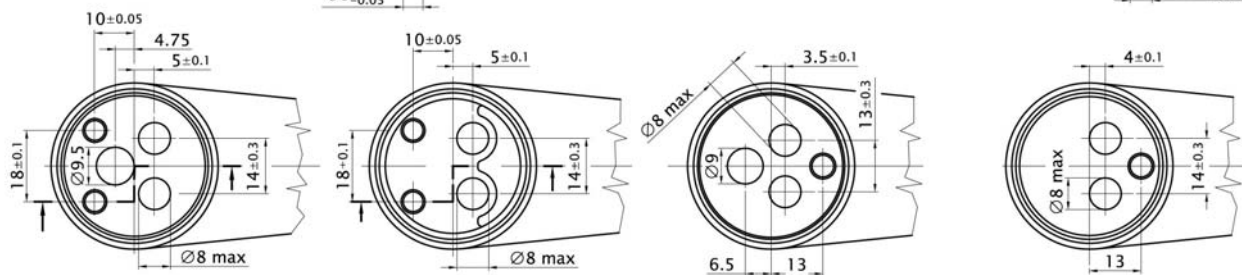
Cartridges



Stem of the cartridge



Bodies



KDN-35A

KDN-35B

KDN-35C

KDN-35D