

### TECHNICAL CHARACTERISTICS OF THE CERAMIC DISCS:

Material:	<b>AL<sub>2</sub>O<sub>3</sub></b>
Surface roughness Ra:	<b>0.3 μm</b>
Contact surface area:	<b>50-70%</b>

### TECHNICAL CHARACTERISTICS OF THE CARTRIDGE:

Max. mixing angle:	<b>180°</b>
Max. water pressure:	<b>35 bar / 500 psi</b>
Max temperature:	<b>90 °C / 194 °F</b>
Recommended tightening torque:	<b>12 Nm / 106 lbf•in</b>

#### Pressure test:

Pneumatic:	<b>6 bar / 87 psi</b>
Hydraulic:	<b>35 bar / 500 psi</b>

#### Flow rate:

(3 bar / 45 psi, test faucet, EN 817)

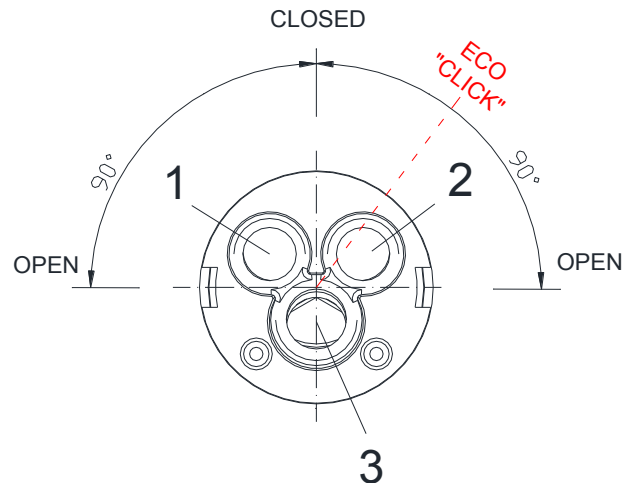
**30.5 l/min / 8.05 gpm** without resistance

**ECO: 6.6- 9.6 l/min / 1.7- 2.5 gpm**  
with A resistance

#### Endurance test:

EN 817	70 000 cycles
ASME A 112.18.1M	500 000 cycles

- This model can be used as a diverter cartridge only. Pre-mixed water enters port 3 and exits port 1 or 2. The cartridge shuts off in the middle position with a tactile "click".



- Ideal for use in tub & shower valves. This cartridge can also be used for diverting incoming water through filtration system for dedicated drinking purposes.
- ECO funkcion saves water: There is a tactile „click” in the right quadrant of the movement range at 37°, which provides economical flow rate. To obtain high flow, user have to override the „resistance bump”. The stem can be turned back without ECO „click”.
- Interchangeable with KDZ-35HT cartridges.

