

TECHNICAL CHARACTERISTICS OF THE CERAMIC DISCS:

Material: **Al₂O₃**

Surface roughness Ra: **0.2 μm**

Contact surface area: **50-80%**

TECHNICAL CHARACTERISTICS OF THE CARTRIDGE:

Opening angle: **±45°**

Max. temperature: **90°C / 194°F**

Recommended tightening torque:

12-13 Nm / 106-115 lbf·in

Pressure test: pneumatic **6 bar / 87 psi**

hydraulic **35 bar / 500 psi**

Flow rate:

(3 bar / 45 psi, test faucet, EN 817)

28 l/min / 7.4 gpm without resistance

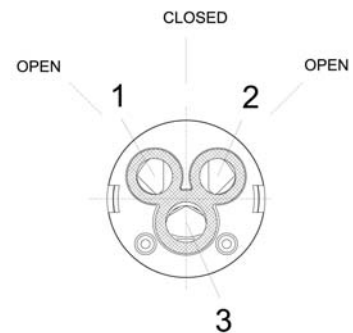
21 l/min / 5.5 gpm with resistance „C”

Endurance test:

EN 817 70 000 cycles

ASME A112.18.1 500 000 cycles

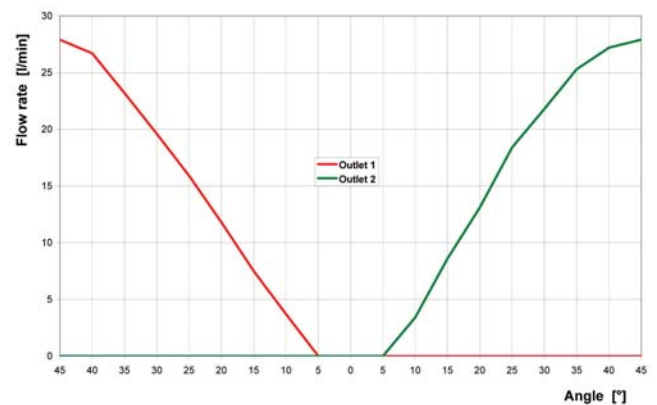
- This model can be used as a diverter cartridge only. Pre-mixed water enters port 3 and exits either port 1 or 2. The cartridge shuts off in the middle position with a tactile “click”.



- Ideal for use in tub & shower valves. This cartridge can also be used for diverting incoming water through filtration system for dedicated drinking purposes.

FLOW RATE CURVES

Test faucet without resistance
Water pressure: 3 bar

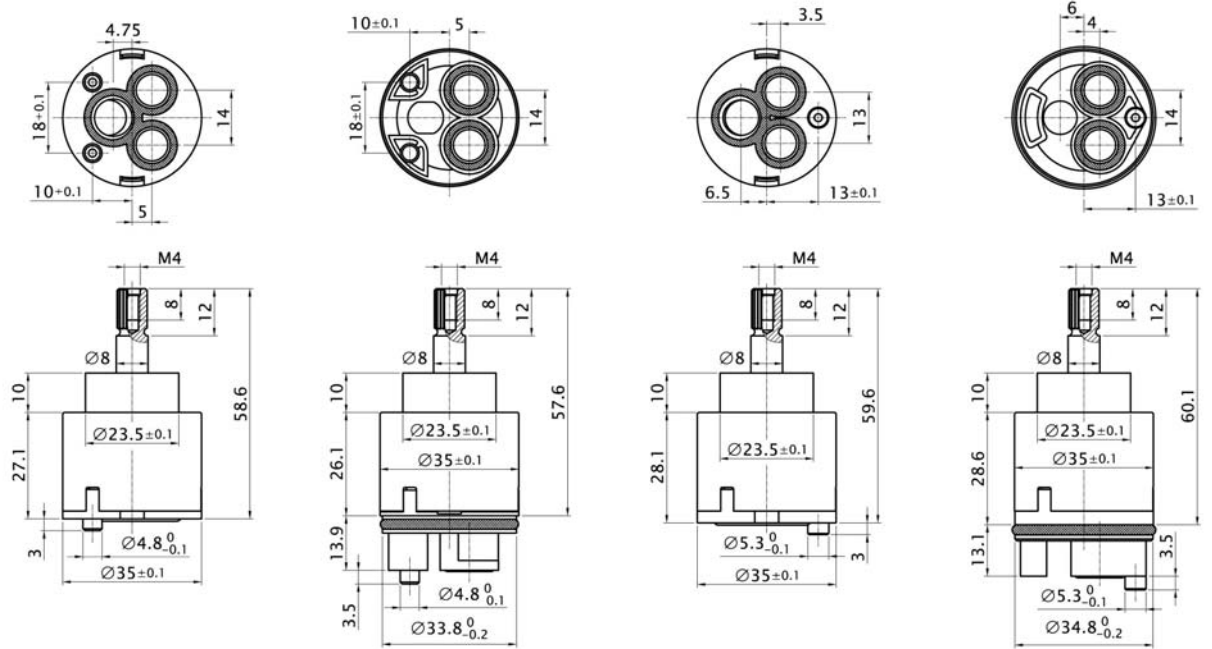


KDZ-35

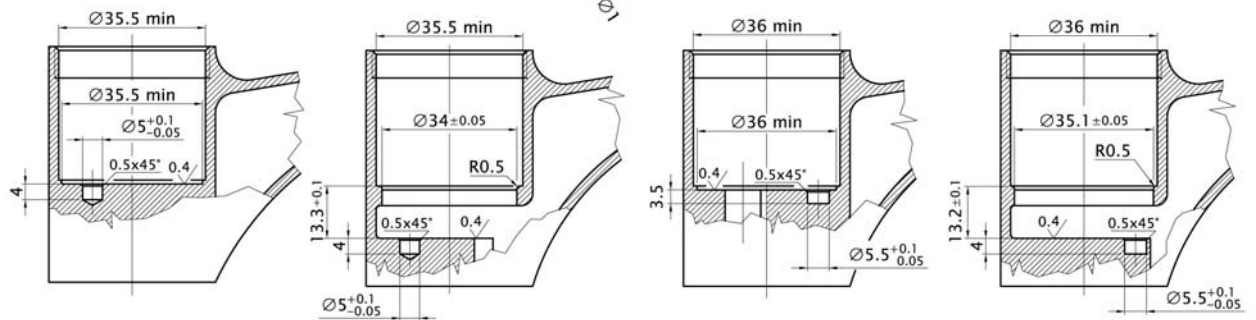
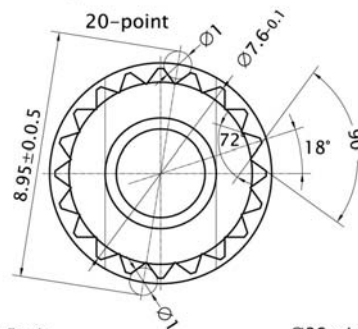
CARTRIDGES

A • B • C • D

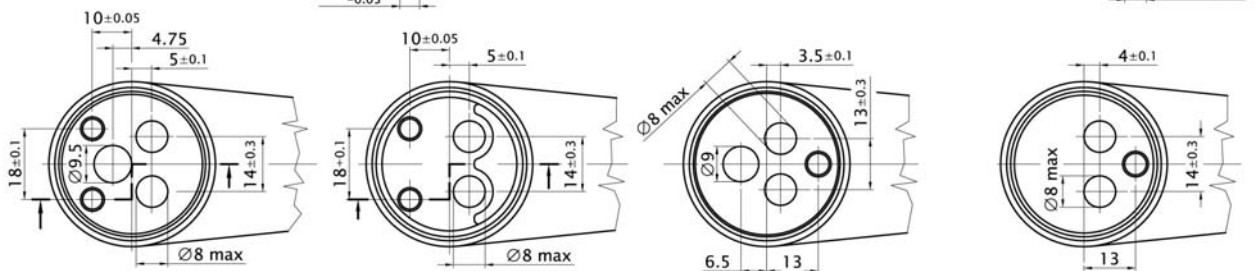
Cartridges



Stem of the cartridge



Bodies



KDZ-35A

KDZ-35B

KDZ-35C

KDZ-35D